



## LED Ecomax GU10

### Features

- Wide voltage mains input
- Optimized lens design
- Broad range of wattages and beam angles
- Energy efficient

### Benefits

- Use in different regions
- Focused beam tailored for accent lighting
- Easily retrofit conventional fixtures with LED
- Up to 85% energy savings compared to halogen GU10

### Application



### Specification

Order Name	Power (W)	Power Factor	Lumen (lm)	Efficacy (lm/W)	Beam Angle (°)	Central Intensity (cd)	CRI	CCT (K)	Average Lifetime(hrs)	Energy Level
GU10 3WW E	3	0.5	200	67	36°	300	80	3000	20000	A+
GU10 3WC E	3	0.5	200	67	36°	300	80	4000	20000	A+
GU10 3WD E	3	0.5	200	67	36°	300	80	5700	20000	A+
GU10 5WW E	5	0.5	350	70	36°	620	80	3000	25000	A+
GU10 5WC E	5	0.5	350	70	36°	620	80	4000	25000	A+
GU10 5WD E	5	0.5	350	70	36°	620	80	5700	25000	A+

#### Application Conditions

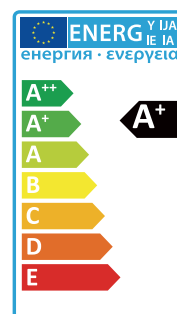
IP	20
Operating Temperature	-10~45°C
Application Temperature	25°C
Storage Environment	-25~50°C

#### Mechanical and Finishing Properties

Optical Material	PC
Housing Material	Aluminium/Plastic
Finishing Colour	Silver

#### Electrical supply

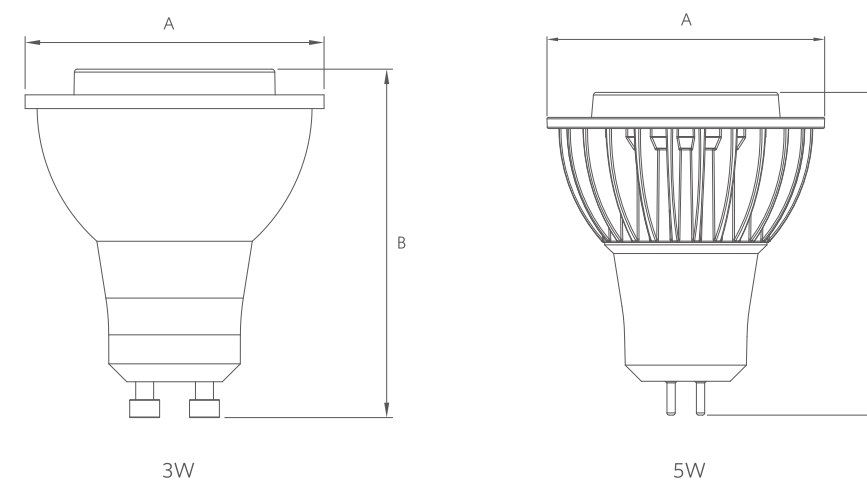
Frequency (Hz)	50/60Hz
Voltage (V)	100V-240V
AC/DC	AC



### Packaging Information

Order Name	Single Box(1pc/box)		Packaging Unit		
	Dimensions(mm) (HxWxL)	Gross Weight (kg)	Dimensions(mm) (HxWxL)	Gross Weight (kg)	Packing QTY (pcs/CTN)
GU10 3WW E	52x52x65	0.058	275x275x280	5.8	100
GU10 3WC E	52x52x65	0.058	275x275x280	5.8	100
GU10 3WD E	52x52x65	0.058	275x275x280	5.8	100
GU10 5WW E	52x52x65	0.085	275x275x280	8.5	100
GU10 5WC E	52x52x65	0.085	275x275x280	8.5	100
GU10 5WD E	52x52x65	0.085	275x275x280	8.5	100

### Dimensional Drawing



	3W	5W
A (mm)	50	50
B (mm)	57	57

### Light Distribution

